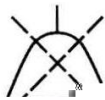
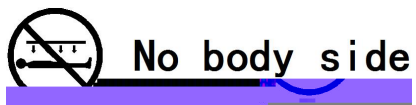
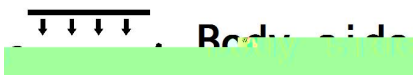
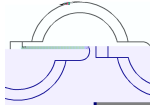
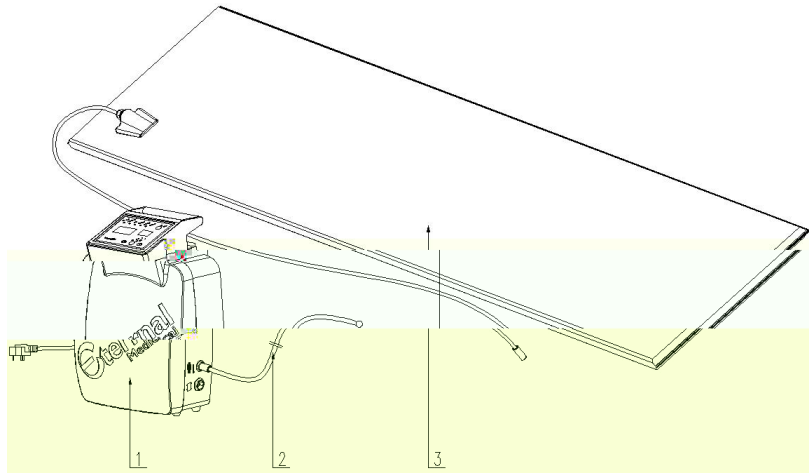


IPX7











No body side





- h6 X 1/4 9 KE K@
- 7-+e0;
- Ä+eta

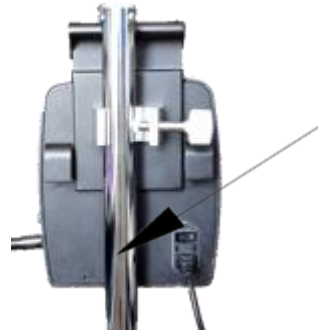
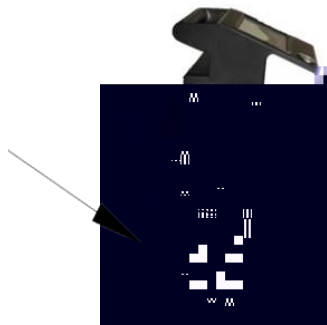


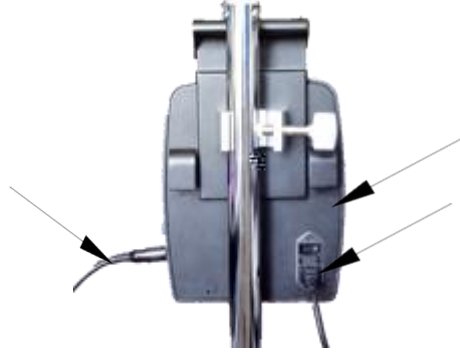
●

●

●





 No body side



- 
- 
- 
-

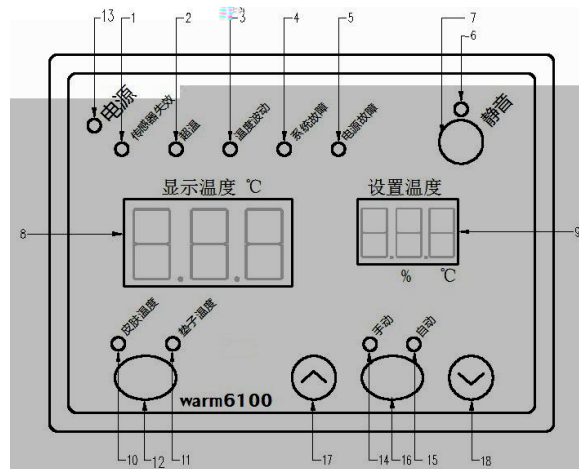
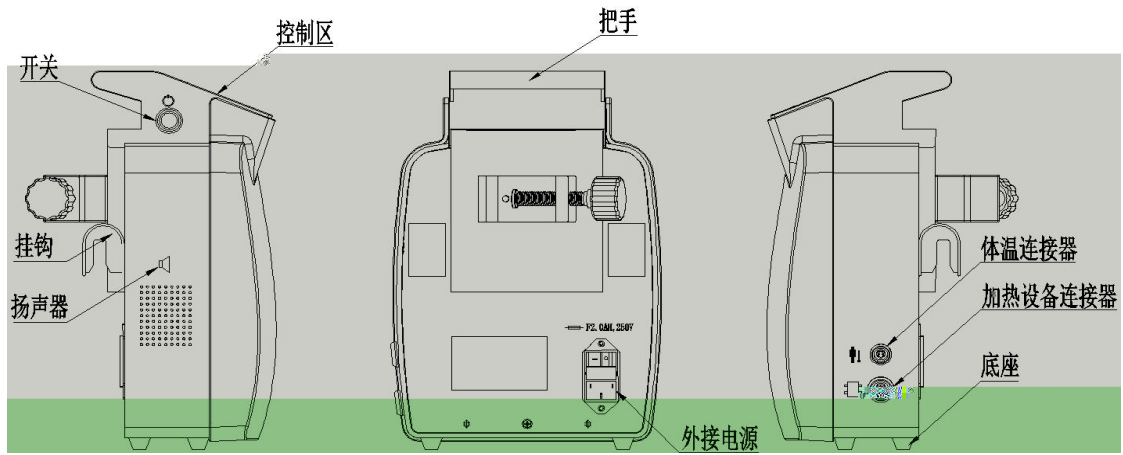
●

●

●

●

●

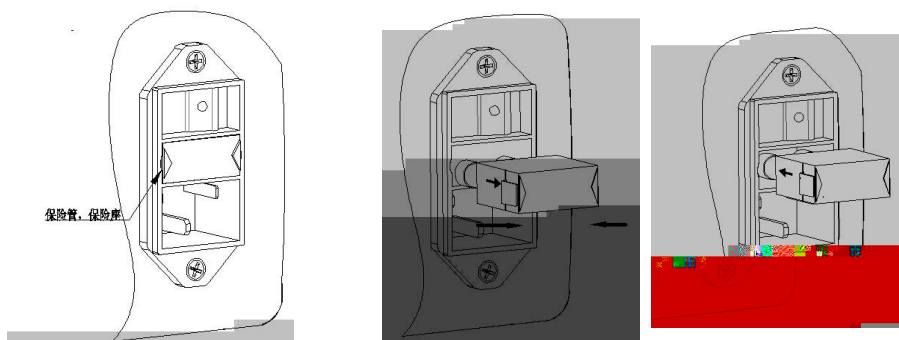




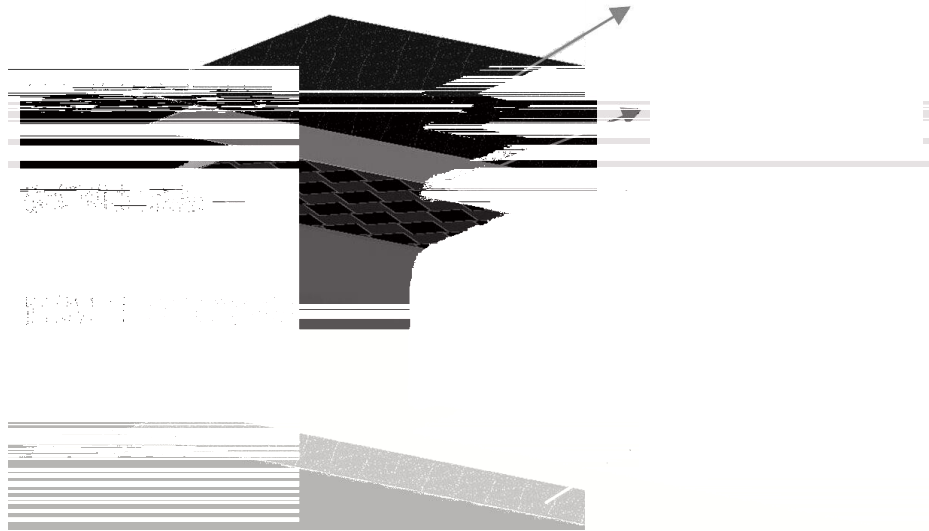


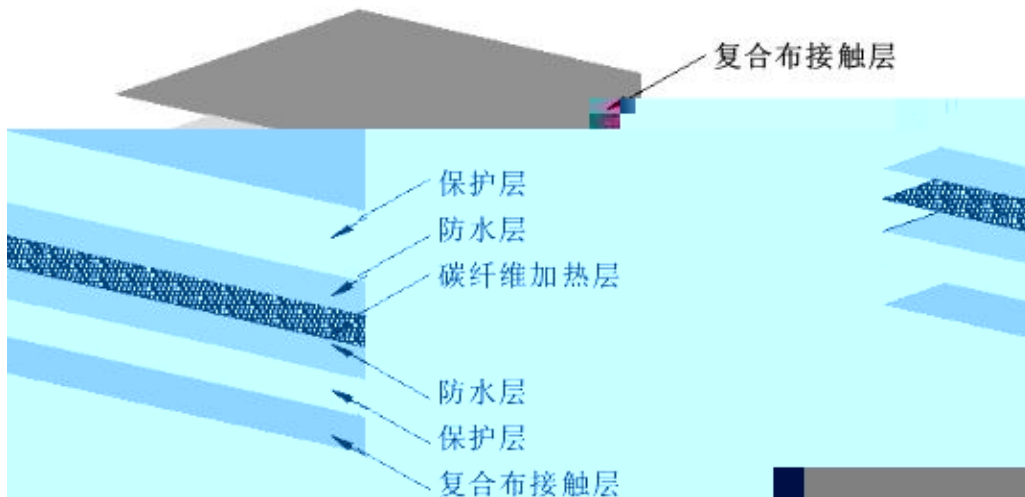










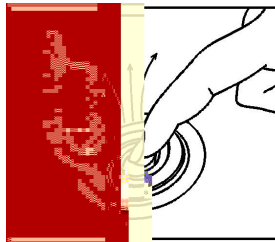
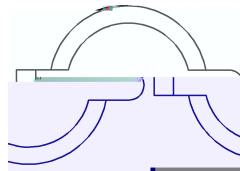


●

●

●

●






●

●







			$d = \sqrt{P}$  $d = \sqrt{P}$  $d = \sqrt{P}$
			



	$d = \sqrt{P}$	$d = \sqrt{P}$	$d = \sqrt{P}$

